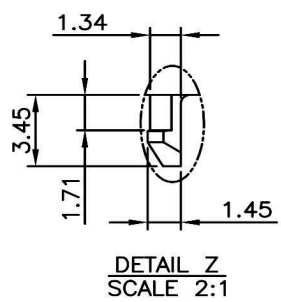
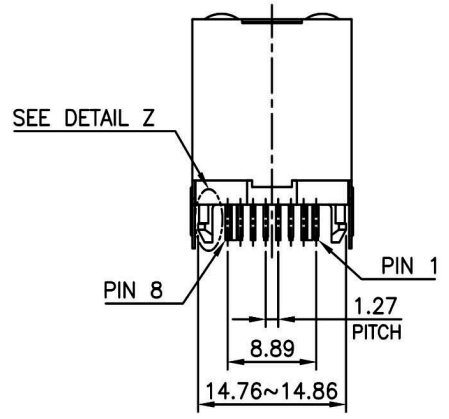
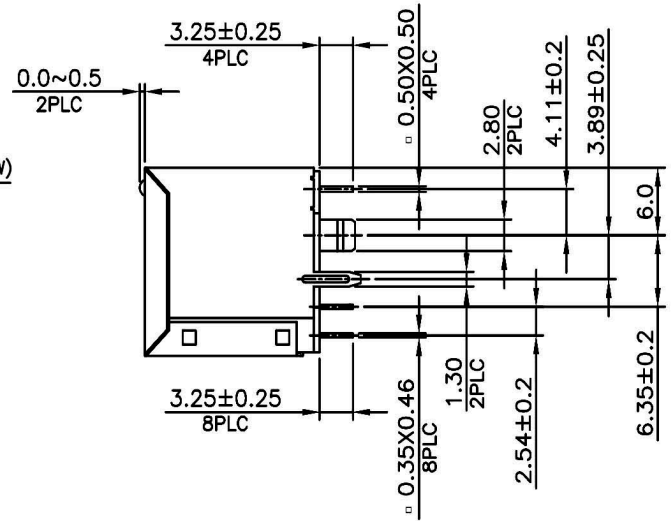
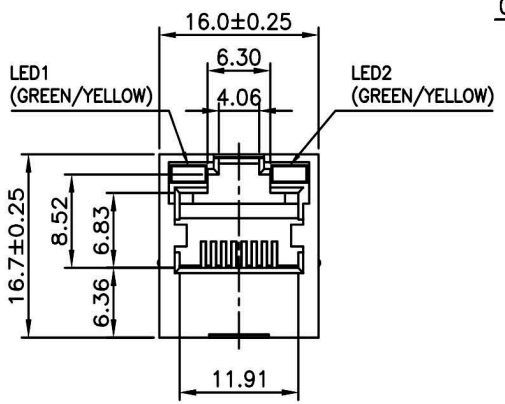
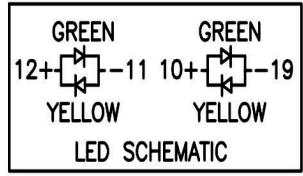
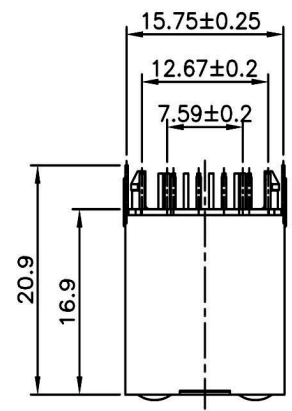


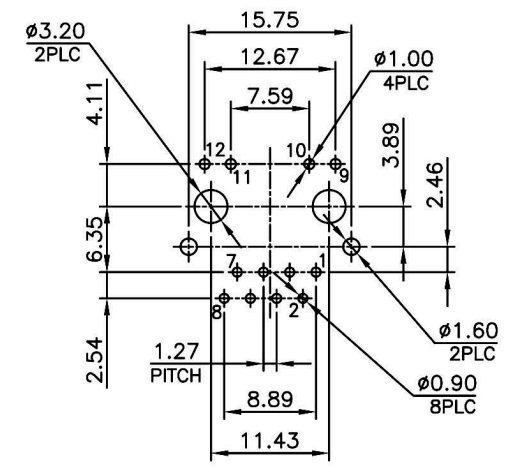
1 2 3 4 5 6 7 8

A
B
C
D
E
F
G
H



NOTE:
CAVITY CONFIRMS TO FCC RULES AND REGULATIONS PART 68, SUBPART F.

1. MATERIAL:
 - 1.1 HOUSING: PA9T, WITH GLASS FIBER, UL94V-0, STANDARD COLOR-BLACK.
 - 1.2 INSERT HOUSING: PA9T, WITH GLASS FIBER, UL94V-0, STANDARD COLOR-BLACK.
 - 1.3 COVER: PA9T, WITH GLASS FIBER, UL94V-0, STANDARD COLOR-BLACK.
 - 1.4 CONTACTS: PHOSPHOR BRONZE.
 - 1.5 SHELL: BRASS.
 - 1.6 LED SOLDER TAIL: STEEL.
2. FINISH:
 - 2.1 CONTACTS: 0.762μm [30μ"'] GOLD PLATED ON CONTACT AREA, GOLD FLASH ON SOLDER TAIL, 1.27μm [50μ"'] MIN. NICKEL UNDERPLATED OVERALL.
 - 2.2 SHELL: 0.508μm [20μ"'] MIN. NICKEL PLATED.
 - 2.3 LED SOLDER TAIL: 2.032μm [80μ"'] MIN. TIN PLATED.



RECOMMENDED PCB LAYOUT
PCB THICKNESS: 1.6mm
TOLERANCE: ±0.05mm (TOP VIEW)

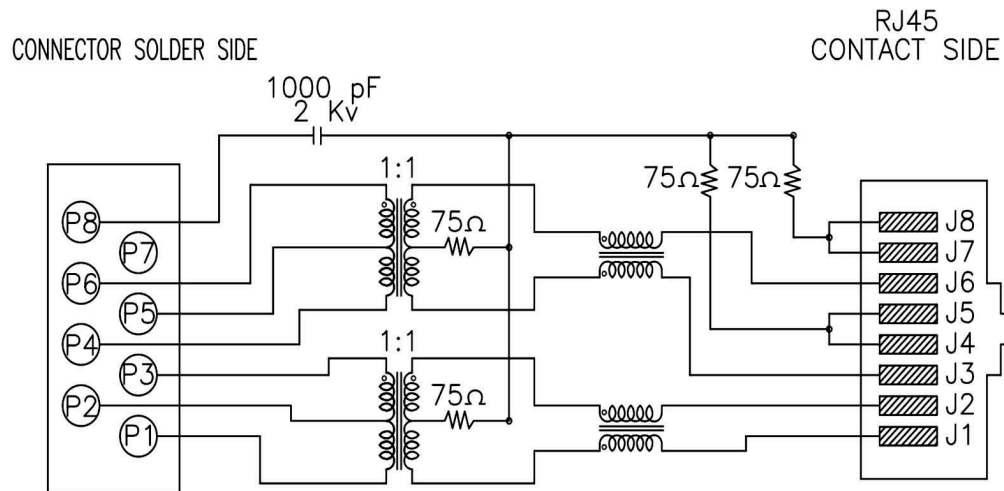
RoHS Compliant		HSM 玄茂科技股份有限公司 HSUAN MAO TECHNOLOGY CO., LTD.	
APPD. 核准	SCALE 比例 参考	TOLERANCES UNLESS OTHERWISE SPECIFIED: X ±- X.X ±0.25 X.XX ±0.13 X.XXX ±0.05 ANGLES ±-	PART NAME 品名 RJ45 TRANSFORMER PCB JACK 10/100 T/F (T1), TOP ENTRY TYPE W/ SHIELDED CONTACT AREA: GOLD 30U" PLATING, OTHER AREA: GOLD FLASH PLATING W/ BI-COLOR LED LIGHT (GREEN & YELLOW) TRANSFORMER TYPE: TYPE 1 BLACK COLOR MATERIAL: PA9T ROHS
DWG. 製圖 Betty	UNIT 單位 MM	SIZE. 紙張尺寸 A4	PART NO. 料號 C0242-88YD1BB410R
DATE 制表日 2022/11/18	PAGE 張數 1 OF 2	REV. 版次 A	

1 2 3 4 5 6 7 8

ELECTRICAL CHARACTERISTICS

TEST NOTES: (25°±5°C)

1. TR: (100KHz, 0.1V)
 PINS:(P6-P5-P4):(J6,J3)=1CT:1CT±3%
 PINS:(P3-P2-P1):(J2,J1)=1CT:1CT±3%
2. INDUCTANCE: (@0.1V, 100KHz, 8mA, DC Bias)
 PINS: (P6-P4),(P3-P1)=350uH MINIMUM
3. DCR:
 PINS: (J6-J3)=(J2-J1)=1.2 OHMS MAXIMUM
4. HIPOT:
 PINS(J1,J2)TO(P1,P3)=1500VAC FOR 60 SECONDS
 PINS(J3,J6)TO(P4,P6)=1500VAC FOR 60 SECONDS
5. LEAKAGE INDUCTANCE:
 P6-P4 (WITH J6 AND J3 SHORT)=0.3 MAXIMUM, @1MHz
 P3-P1 (WITH J2 AND J1 SHORT)=0.3 MAXIMUM, @1MHz
6. INSERTION LOSS:
 -1.1dB MAXIMUM AT 1MHz TO 100MHz
7. RETURN LOSS:
 -18dB MINIMUM AT 1MHz TO 30MHz
 -12dB MINIMUM AT 60MHz TO 80MHz
8. CROSS TALK:
 -30dB MINIMUM AT 1MHz TO 100MHz
9. COMMON TO COMMON MODE ATTENUATION:
 -35dB MINIMUM AT 30MHz TO 100MHz
10. RISE TIME: RS=100 OHMS AND RL=100 OHMS
 OUTPUT VOLTAGE=1 V PEAK=3.0 nS MAXIMUM
 PULSE WIDTH=112 nS=3.0 nS MAXIMUM
11. INTERWINDING CAPACITANCE:
 (P6,P5,P4)TO(J6,J3)=30pF MAXIMUM, @1MHz
 (P3,P2,P1)TO(J2,J1)=30pF MAXIMUM, @1MHz



CONNECTOR SCHEMATIC

RoHS Compliant		玄茂科技股份有限公司 HSUAN MAO TECHNOLOGY CO., LTD.	
APFD. 核准	 SCALE 比例 参考	TOLERANCES UNLESS OTHERWISE SPECIFIED: X ± - X.X ± 0.25 X.XX ± 0.13 X.XXX ± 0.05 ANGLES ± -	PART NAME 品名 RJ45 TRANSFORMER PCB JACK 10/100 T/F(T1),TOP ENTRY TYPE W/ SHIELDED CONTACT AREA:GOLD 30U" PLATING, OTHER AREA:GOLD FLASH PLATING W/ BI-COLOR LED LIGHT (GREEN & YELLOW) TRANSFORMER TYPE: TYPE 1 BLACK COLOR MATERIAL:PA9T ROHS
DWG. 製圖	Betty	UNIT 單位	SIZE. 紙張尺寸
DATE 制表日	2022/11/18	PAGE 張數	REV. 版次
		2 OF 2	A
			PART NO. 料號
			C0242-88YD1BB410R